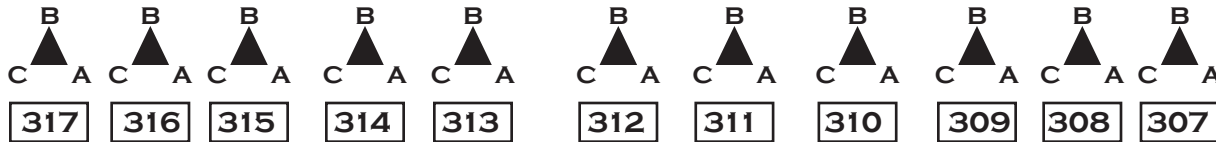
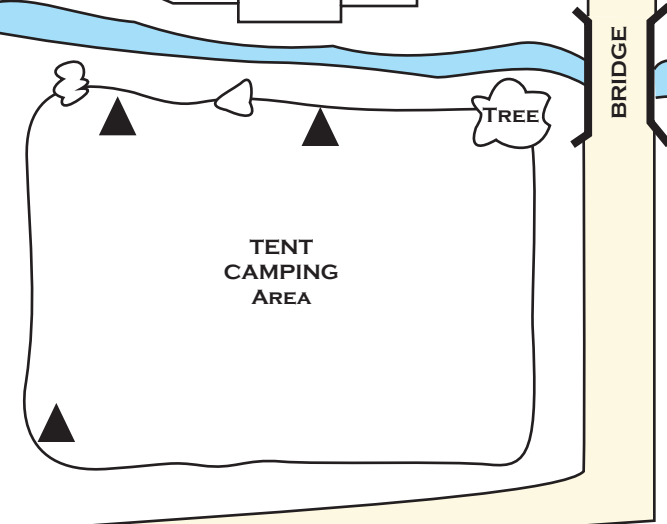
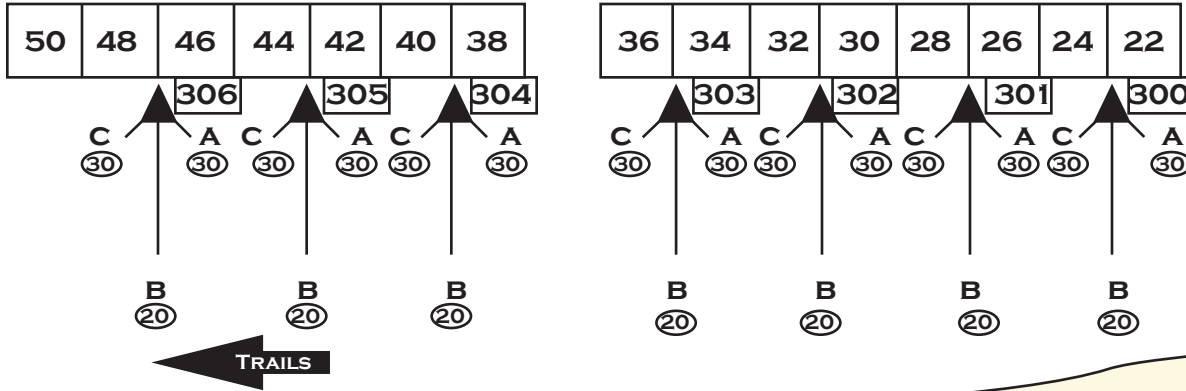
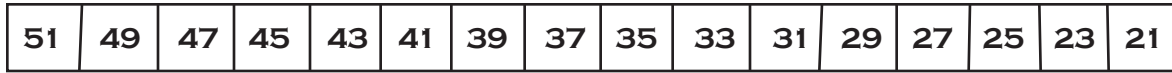


← CREEK →



- ▲ = ELECTRICAL HOOKUPS
- Ⓧ = 30 AMP
- Ⓧ = 20 AMP